



# RAIN PROOF POWER SUPPLY

## GDS-PS60012-62 600W

DESCRIPTION: THIS SPECIFICATION IS ADAPTED TO THE GDS-PS60012-62 MODELS OF SWITCHING POWER SUPPLY.

### PRODUCT FEATURES:

- Constant voltage design, 4 years warranty
- Comply with CE safety design standards
- Reduce light decline and improve LED service life
- AC input voltage range: 180-264V
- With short circuit, overload, over voltage protection
- Glue semi-potted, IP65, cooling by fan
- LED power indicator

### SPECIFICATION:

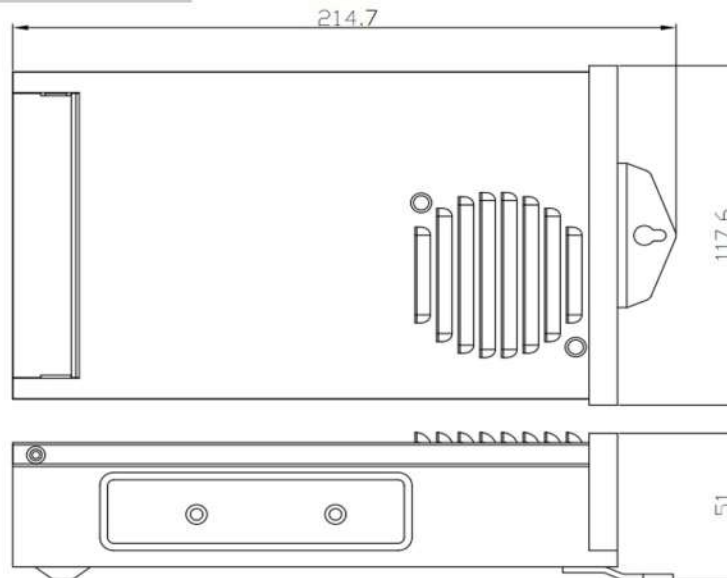
Model	GDS-PS60012-62
Constant DC Voltage	12V/ 24V
Rated Current	50A(Max.)/ 25A(Max.)
Rated Power	600W(Max.)
Ripple Wave & Noise (Max.)	< 300mVp-p
Voltage Accuracy	±5%
Linear Adjustment Rate	±3%
Load Regulation	±5%
Start up, Rise Time	2000ms, 80ms @240V
Turn on Delay Time	10ms @240V

# GRAPHIC DISPLAY SYSTEMS

## COMPLETE SOLUTION FOR SIGN & PRINT INDUSTRY

Input	Voltage Range	180-264V AC
	Frequency Range	50/60Hz
	Efficiency	>88%
	AC Current	< 5A @240V
	Inrush Current (240V AC)	57A/240VAC@cold strat; 53A/240VAC@hot start
	Leakage Current	<0.75mA/240VAC
Protection	Over-load	110%-130% hiccup mode, the load abnormal condition can be automatically restored after removal
	Over-voltage	the power supply will lock when over voltage(<15V or 29V), must close and restart AC source
	Short-circuit	hiccup mode protection, the power supply will be auto recovered when short circuit faults remove.
Environment	Temperature	-25°C-40°C
	Working Humidity	20%(0°C)~90%(40°C)RH, 72Hrs, Full load, Normal operating.
	Storage Temperature	-25°C-80°C
Safty&EMC	Safty Standars	GB4943-2022, UL1012
	Withstand Voltage	I/P-O/P 2KVAC I/P-FG 2KVAC, O/P-FG 500VAC
	Isolation Resistance	I/P-O/P, I/P-FG, O/P-FG: 100MΩ/500VDC/25°C/70%RH
	EMC	EN55022B, Class B
	EMC Immunity	EN55024; EN61000-4-2,3,4,5,6,8,11
Others	MTBF	≥30000hours at 40°C
	Size	214.7*117.6*51mm
	Net Weight	780g /pcs
	Packing	18pcs /carton

### PRODUCT DIMENSION:



### INSTALLATION DIRECTION:

